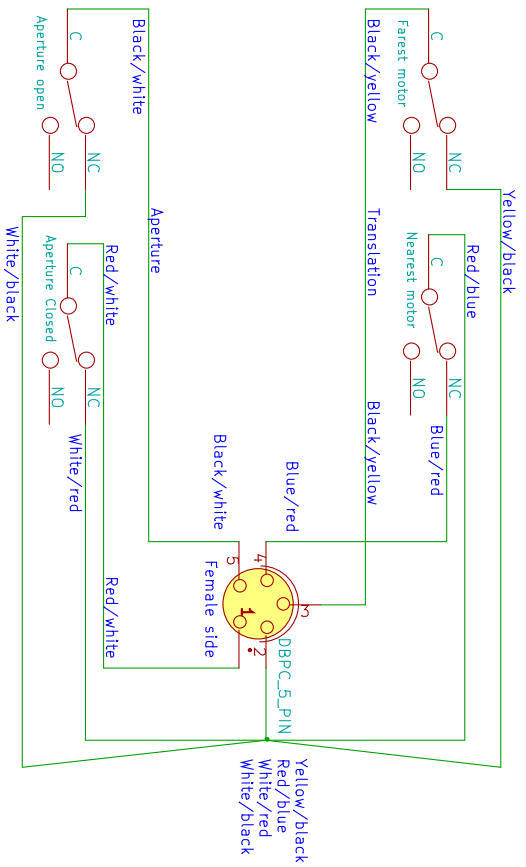
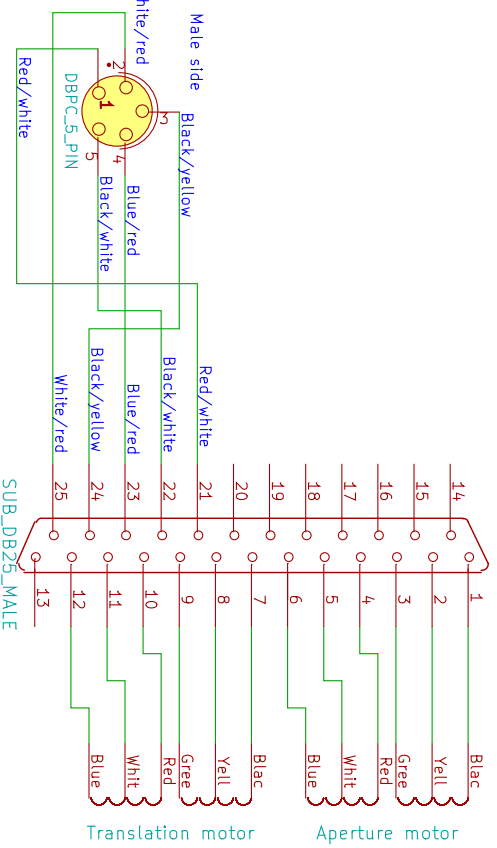


# Inside slit



# Motor flange



<b>JJ X-Ray Michael Andersen</b>	
File: at30hv.sch	
Sheet: /	
<b>Title: A130</b>	
Size: A4	Date: 23 oct 2017
KICad E.D.A. eeschema (2013-05-16 BZR 4016) -stable	
	<b>Rev: 1.0</b>
	Id: 1/1